

# *EyeSpecial C-IV*

The Dental Camera



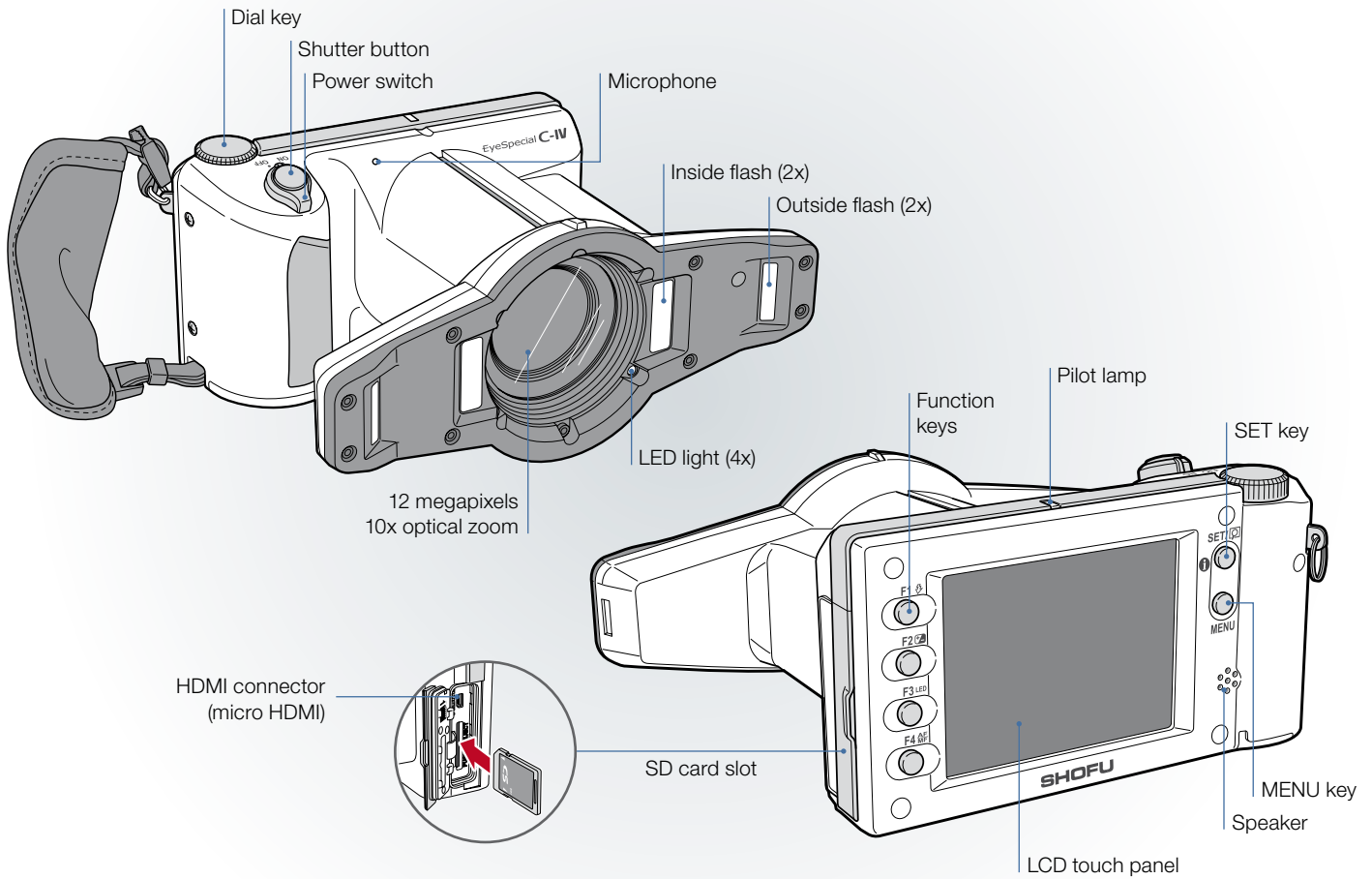
## More speed – more precision – more versatility

The fourth generation of the EyeSpecial dental camera meets specific user requests, e.g. for easy menu navigation and comfortable operation, and features even more speed, precision and versatility. The close-up view now provides much more information on shade, surface and other tooth characteristics. The new attachable cross polarizer (optional) offers users a glare-free view of the variable play of colours in natural teeth.



The EyeSpecial C-IV dental camera is equipped with state-of-the-art digital technology; it is characterised by a short learning curve, reliable operation and suitability for a wide range of indications.

- Fast, intuitive menu navigation
- Brilliant display
- Nine shooting modes
- Video feature
- Optional attachable cross polarizer
- Micro HDMI connector
- QR code features
- Trigger Flash Mode for full-body portraits



## Compact and comfortable

This ultralight high-performance camera can easily be held with one hand, freeing the other to hold a cheek retractor or a mirror. It does not require any "heavyweight" accessories, like external flashes or interchangeable lenses. Equipped with everything you need, the EyeSpecial C-IV allows you to take informative and professional dental photographs.

## Intuitive menu navigation

Thanks to the high-resolution 3.5" LCD touch panel, you can intuitively operate your camera. Immediately assess the image data on the display. Edit images using the desired options. Archive the data with one finger movement. Easy-to-understand icons help you to easily and quickly perform the respective actions.

The high-resolution LCD touch panel is intuitive to operate; easy-to-understand icons guide you through the menus.



# Shooting modes



**Standard**

Standard intraoral photography with true-colour optimisation



**Surgery**

Intraoral photography from a greater distance



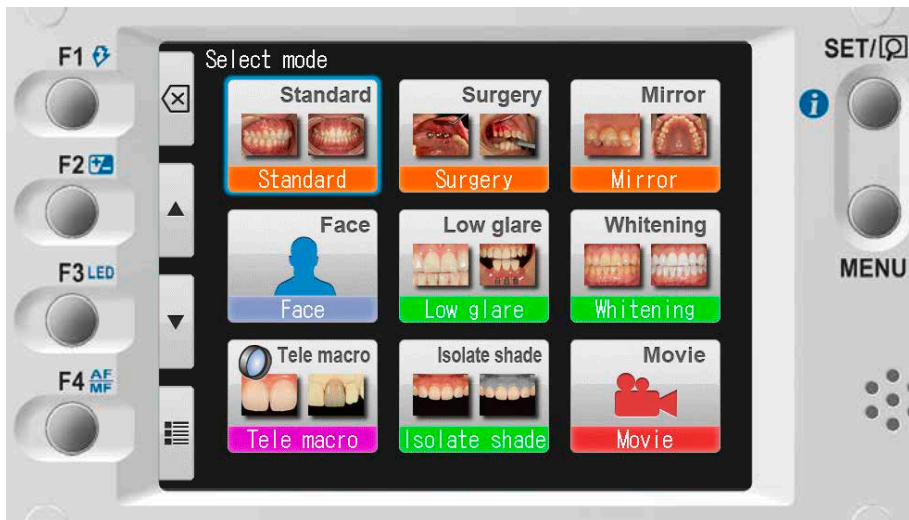
**Mirror**

Intraoral photography using a dental mirror. The image can be reversed afterwards.



**Face**

Facial photographs, half-body or full-body portraits



The nine preinstalled dental shooting modes ensure a consistent image quality.



**Movie**

Film documentation of function and motion analysis



**Low Glare**

Photographing details of anterior teeth, working models or indirect restorations



**Whitening**

Comparison of tooth shades before and after whitening/bleaching



**Tele macro**

Detailed close-ups of anterior teeth with the close-up lens attached



**Isolate Shade**

Automatic isolation of the gingival shade for optimal shade taking

*EyeSpecial*

## More detail

The integrated autofocus system and the shooting modes presented on the left guarantee precise and detailed photographs in any situation, with maximal depth of field ranging to the second molar – and help to minimise errors!

The intelligent FlashMatic system provides the right light. It automatically adjusts flash duration and intensity, creating controlled conditions for optimal exposure and true-colour images.



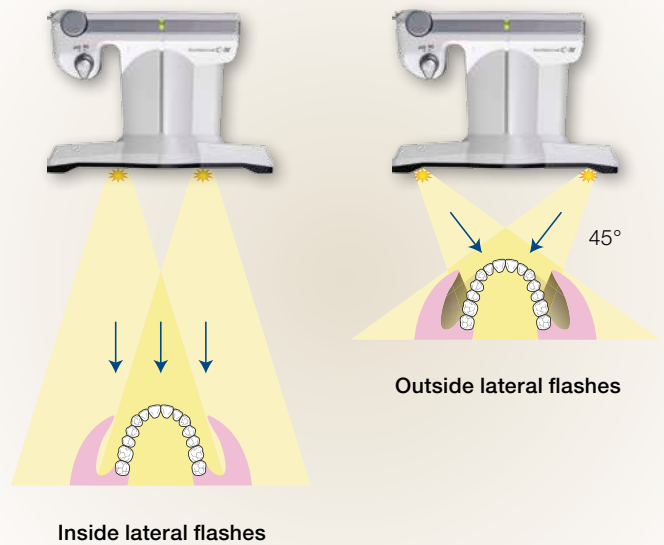
The exceptional depth of field, which is specifically centred on the point of focus of the dental photograph, ensures high-contrast intraoral images of outstanding quality.



The camera can be cleaned and disinfected with ethanol.

## Four flashes – Two lighting modes

The combination of lateral flashes perfectly lights the oral situation and minimises reflections on the tooth surfaces.



At ACTA (Academic Centre for Dentistry in Amsterdam), digital dental photography is part and parcel of daily practice – for patient communication, case documentation and treatment planning.

# C-IV

# Practical accessories

## Close-up lens for more detail

The EyeSpecial C-IV features an optical zoom for magnification rates of up to 1.4:1. If you wish to capture more detail, you can use the tele macro mode in combination with the high-quality close-up lens by Kenko for magnification rates of up to 2:1.

Simply screw the close-up lens onto the camera lens clockwise, confirm in the menu, and take excellent images of the smallest anatomical details. In addition to the tele macro mode, the close-up lens is also needed when using the optional cross polarizer.



## Cross polarized photography for glare-free assessment



With the cross polarizer attached, the EyeSpecial C-IV allows you to look inside a tooth: Chroma, internal light effects and individual tooth characteristics are visualised without being distorted by light reflections occurring on the enamel surface. Shade and colour effects of hard and soft tissues can also be assessed more accurately when using the cross polarizer.

The cross polarizer is designed in such a way that the polarizing components are positioned at right angles to the flash and lens part, eliminating any reflections on the tooth surface.



Without cross polarizer



With cross polarizer

# Specifications

## Sensor

Type	Primary colour filter, CMOS sensor
Size	1/1.7 inch
Total pixels	Approx. 12 million (4,163 x 3,062)
Effective pixels	Approx. 12 million (4,000 x 3,000)
Sensitivity	ISO 100 to 3,200

## Lens

Focal length (35 mm equivalent)	28 - 300 mm
Maximum aperture	Wide: 2.83 - 7.99 Tele: 2.85 - 11.44
Zooming method	Optical and digital zoom
Digital zoom	10 steps from x1.05 to x2
Optical filter	UV / IR cut filter

## Automatic Exposure (AE)

Method	TTL (through the lens) metering / FlashMatic (patented) light control
AE area	Center-weighted / spot / standard
Shutter release	Electronic and mechanical
Shutter speed	1/15 to 1/1,000 sec, automatic change

## Autofocus

Method	Contrast autofocus
AF area	Center-weighted / spot
Focus mode	Single shot autofocus and manual focus by adjusting the distance
AF assist light	4 white LED lights

## Image storage

Storage media	SD/SDHC/SDXC card (max. 512 GB)
File format	JPEG/MOV (with patient information file (.MIF))
SD card record format	DCF (standard / date)
Image size	Aspect ratio 4:3 12M / 8M / 5M / 3M / 2M / VGA Aspect ratio 3:2 10M / 8M / 4M / 3M
Video pixels	HD (1,280x720), 59.94 fps
Image quality	Extra fine / fine / standard
Information imprinting	Date + shooting conditions + patient information

## Camera

Power supply	4 alkaline AA batteries / 4 rechargeable nickel metal hydride batteries (NiMH)
Power save function	Off / 1 / 2 / 3 / 5 min
Dimensions	W 176 x H 80 x D 125 mm (without accessories)
Weight	Approx. 590 g (without accessories)
Water resistance	Complying with IPX4
Chemical resistance	Ethanol disinfection



# Order information



- Camera EyeSpecial C-IV
- Close-up lens (49 mm) from Kenko
- Lens cap
- Hand strap
- 4 AA batteries
- 16 GB SDHC memory card
- SHOFU gray card
- User's manual
- Quick reference
- Important safety instructions

PN E0021



PN E0001NK

PN	Product
E0021	EyeSpecial C-IV incl. accessories
E0022	Cross Polarizer
E0002	Hand strap
E0004	SHOFU gray card
E0005	Lens cap
E0001NK	Case for EyeSpecial

